

GM Lighting

LEDTASK™ LTR150 SERIES 12VDC RGB LED LINEAR RIBBON CONTROLLER and REMOTE

Project: _____

Type: _____

Location: _____

Contact Phone: _____

PRODUCT DESCRIPTION

For use exclusively with GM Lighting's RGB LED linear ribbon or wet location RGB LED linear ribbon. This in-line controller with remote can control up to 4 reels (20 meters). Capable of subtle and brilliant color effects (16 different effects and 50 levels of brightness and speed adjustment are possible). Remote charges via USB cable or UCBwall charger (supplied).

PRODUCT SPECIFICATIONS

Construction: Both 12VDC RGB LED Linear Ribbon controller and remote are constructed of high impact durable plastic.

Electrical: 12VDC in and 4 wire RGB out. 12 amps max and 144 watts. For runs over 4 reels (20 meters), a 12VDC amplifier is needed. Please specify GM Lighting's LTR150 Series 12VDC RGB LED Linear Ribbon Amplifier (LTRGB-AMP). This aluminum finished amplifier enables easy installation over long runs. For runs of 5 reels or more, please consult factory.

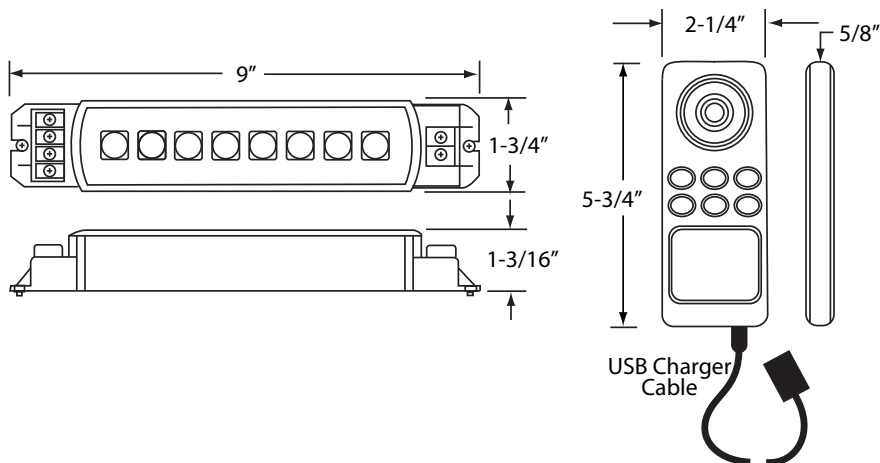
Power Supplies: See chart at right for complete descriptions and catalog numbers. 12VDC Amplifier available for runs over 20 meters (4 reels). See **Electrical** above for more information.

Color Effects Available: The following effects are available using the controller / remote:

- Red
- Green
- Blue
- Yellow
- Purple
- Cyan
- White
- Color changing
- Red fade-in and out
- Green fade-in and out
- Blue fade-in and out
- Yellow fade-in and out
- Purple fade-in and out
- Cyan fade-in and out
- White fade-in and out
- Colors fade-in and out

Label: ETL listed.

American Lighting Association



Cat. Number	Description	Wattage	Amps	Finish
LTRGB-CNR	RGB Touch Controller with Hand Held Remote	144W	12 amps max.	White

GM Lighting

GM Lighting, LLC • 9830 W. 190th St. • Unit F • Mokena, IL 60448
Toll-Free: (866) 671-0811 FAX: (708) 478-2640 • www.gmlighting.net
Specifications subject to change without notice. ledtaskRGBController_060311