

**LED MAGNETIC DIMMABLE  
60W POWER SUPPLY**  
by  
**GM Lighting**

Project: \_\_\_\_\_

Type: \_\_\_\_\_

Location: \_\_\_\_\_

Contact Phone: \_\_\_\_\_

**PRODUCT DESCRIPTION**

LED dimming magnetic power supply that works with conventional low voltage magnetic wall mount dimmer with on/off switch. 12 or 24 VDC output. 120, 240 or 277 VAC input. No minimum load (can be fully loaded). Highest efficiency with auto reset. Not recommended for digital installations.

**PRODUCT SPECIFICATIONS**

**Construction:** Power supply is fully epoxy encapsulated for long life and to protect against moisture. Full metal enclosure. No external fusing required. Input and output wire color chart on side for easy reference. 2 knock-outs.

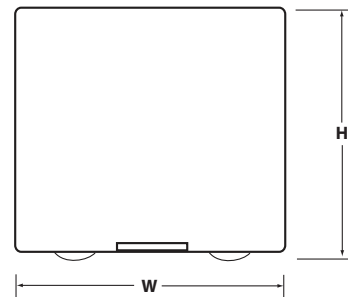
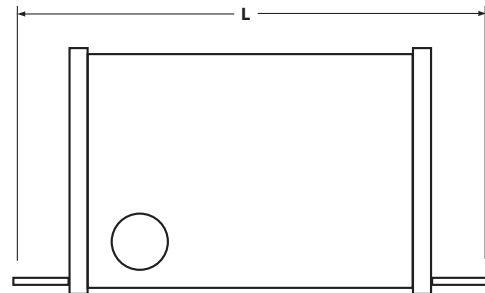
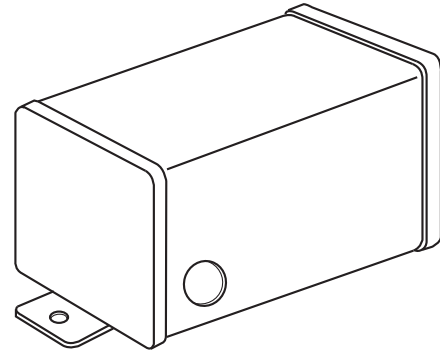
**Electrical:** Output voltage 12 or 24 VDC. Patented short circuit and overload protection. Limited power source output allows for Class II wiring. Thermal class B-130C. Input leads are 20 AWG. Output leads are 16 AWG. Lead insulation rated to 105°C (221°F). Transformer utilizes a class B 130°C (266°F) insulation system. Auto reset.

**Dimming:** Works with low-voltage magnetic wall dimmer with on/off switch.

**Mounting:** Mounting tabs allow direct screw mounting.

**Label:** ETL listed for indoor use. Not rated for outdoor use. Tested to CAN/CSA C22.2 No. 60950-1-03 and EN 60950-1. RoHs compliant.

Not rated for outdoor use.



Catalog Number	Max. Wattage	Input Voltage	Output Voltage	Weight	Dimensions		
					L	W	H
LTH-60-DIM	60W	120V, 240V or 277VAC / 50 or 60 Hz	12 or 24 VDC	4.11 lbs.	7"	3"	3.88"

For voltage drop - see [www.gmlighting.net/voltagedrop.html](http://www.gmlighting.net/voltagedrop.html) or consult GM Lighting Product catalog, page 19.



GM Lighting, LLC • 9830 W. 190th St. • Unit F • Mokena, IL 60448  
Toll-Free: (866) 671-0811 FAX: (708) 478-2640 • [www.gmlighting.net](http://www.gmlighting.net)  
e-mail: [gmlightingllc@sbcglobal.net](mailto:gmlightingllc@sbcglobal.net) • Specifications subject to change without notice.



LTH-60\_032510