

XENON LumenTask™ UNDERCABINET LIGHTING

UNDERCABINET LIGHTING SPECIFICATION SHEET - 120V XENON

Project: _____

Fixture Type: _____

Location: _____

Contact Phone: _____

PRODUCT DESCRIPTION

LumenTask 120V undercabinet lighting fixtures with 25W xenon lamps that deliver excellent color rendition and maximum light output along with long lamp life. The unique housing and reflector system features an Open Wide™ hinged system that affords hands-free re-lamping and maintenance. LumenTask is rapidly becoming the preferential undercabinet lighting system for residential lighting applications.

PRODUCT SPECIFICATIONS

Housing Construction: One-piece, low profile (1-1/4" height) die-formed 18 gauge cold rolled steel housing with aluminum reflector and die cast end caps. Mounting holes with pre-affixed screws for easy alignment and installation. Multiple vents for cool undercabinet operation. White, bronze, powder paint and solid stainless steel finish.

Electrical: Multiple knock-outs for use with wire mold provided for through wiring (utilizing LumenTask EZ Connectors) of multiple units. Three-position dimming switch allows for hi - low level light output. Xenon lamp is 25-Watt, G9 base with 5000 hr. lamp life at 2900°K. Lamps utilize a unique ceramic base.

Dimming: Can be dimmed with standard incandescent dimmer.

Reflector: Anodized aluminum mirrored reflector.

Diffuser: Tempered prismatic frosted glass lens that slides out for easy installation. Spring loaded retention clip holds lens securely in place.

Installation: Must be installed a minimum of 1" from back of cabinet to allow for proper ventilation.

Label: UL listed.

OPEN WIDE FEATURE

Accessing the interior of LumenTask without dismounting is easy. Our Open Wide design keeps the fixture open and your hands free to wire. By simply pressing the wire compartment holding tab, the wiring compartment cover swings down and out, and stays in position until you're ready to snap it back in its closed position, and slide the lens back in place.

PRODUCT SPECIFICATION NUMBERS

X8-120-WH	White	1 - 25W
X8-120-BZ	Bronze	1 - 25W
X8-120-SS	Stainless Steel	1 - 25W
X16-120-WH	White	2 - 25W
X16-120-BZ	Bronze	2 - 25W
X16-120-SS	Stainless Steel	2 - 25W
X24-120-WH	White	3 - 25W
X24-120-BZ	Bronze	3 - 25W
X24-120-SS	Stainless Steel	3 - 25W
X32-120-WH	White	4 - 25W
X32-120-BZ	Bronze	4 - 25W
X32-120-SS	Stainless Steel	4 - 25W

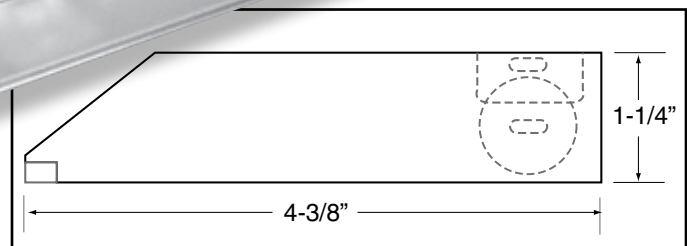
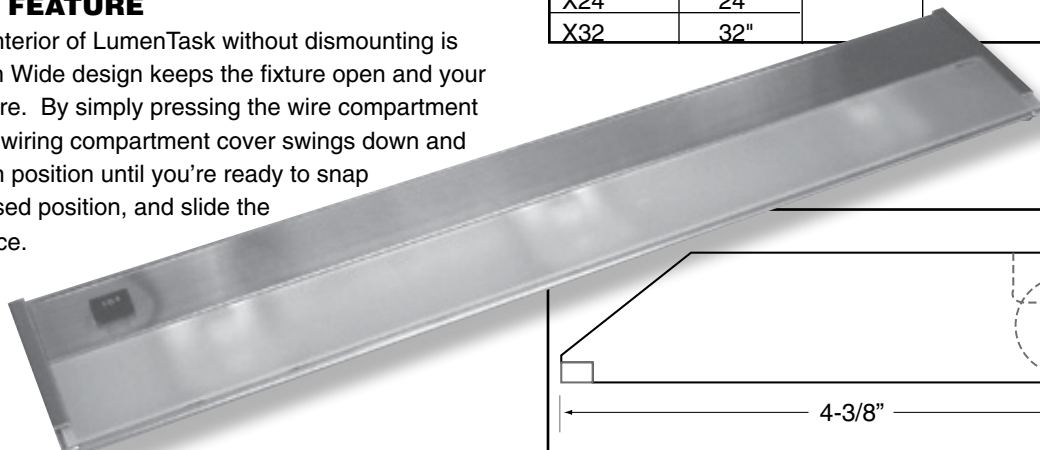
ACCESSORIES

Catalog No.	Description
EZ1	EZ connector (connects two fixtures)
EZ3	3" interconnect modular cable
EZ6	6" interconnect modular cable
EZ12	12" interconnect modular cable
CP6	6' modular cord and plug for wall outlet
JB101	Wiring compartment - 4 knock-outs

NOTE: All EZ connectors are three wire.

DIMENSIONS

Model	Length	Width	Height	Knock-outs
X8	8"	4-3/8"	1-1/4"	6 x 1/2"
X16	16"			10 x 1/2"
X24	24"			14 x 1/2"
X32	32"			18 x 1/2"



GMLighting

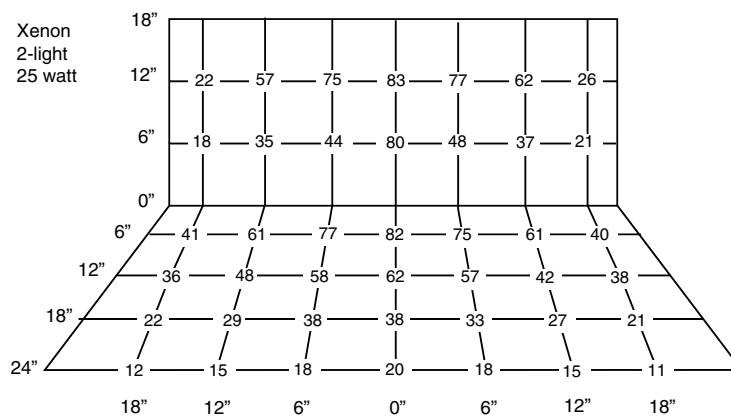
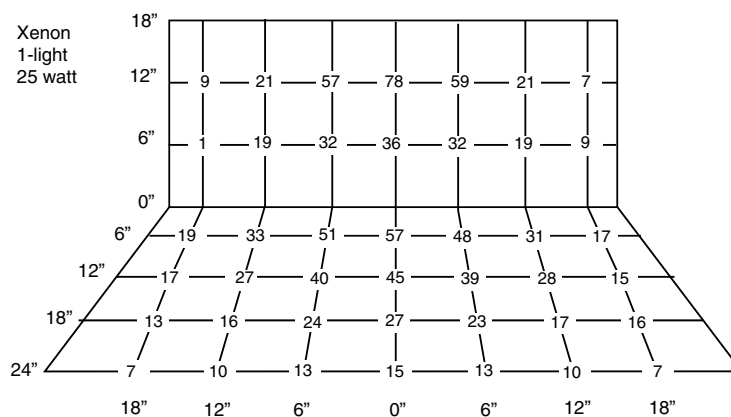
www.gmlighting.net • www.lumentask.com

Telephone: (708) 671-0811 Toll-Free: (866) 671-0811 FAX: (708) 448-8545

e-mail: gmlightingllc@sbcglobal.net • Specifications subject to change without notice.

XENON LumenTask™ UNDERCABINET LIGHTING

120V XENON PHOTOMETRICS AND LAMP DATA



Xenon Lamp Specifications					
Catalog No.	Volt	Watts	Base	Life Hrs.	Color Temp.
G9-120VCL	120	25	G9	5000	2900°K

Xenon is the heart of LumenTask™. When compared with halogen, Xenon runs cooler and lasts longer. LumenTask Xenon lamps utilizes a unique ceramic base for safety and ease of use.