

# XENON LumenTask UNDERCABINET LIGHTING



## Installation Instructions for Direct Wire

**NOTE: Before Installing LumenTask, turn power off.  
Space at least 1" from vertical surface when mounting.**

1. Remove the glass diffuser by sliding forward until completely out. Set glass aside.

2. Place fixture in desired location (1" from vertical surface) and screw in place with pre-affixed held screws. Mounting surface should be a minimum of 1/2" thick. Optional screws (1/2" provided) for cabinet base or shelf that is 3/8" thick or less.

**To take advantage of the unique cooling system, mount a minimum of 2" away from wall (Fig. 1).**

3. If screws are difficult to install, remove the pre-affixed screws, mark hole placement, and drill hole with maximum 1/16" drill bit.

4. Open wiring compartment cover by depressing tab to remove from slot, (Fig. 2) allowing wiring cover to hinge down and stay open for easy access (Fig.3)

5. Through one of the knockouts provided, bring incoming wire from power source.

6. **120V Lumentask:** Connect power source white wire to white fixture wire. Connect power source black wire to black fixture wire.

**12V Lumentask:** Connect power source white wire to transformer white wire. Connect power source black wire to transformer black wire.

7. Connect bare ground wire to supply ground. Ground wire is attached inside fixture.

8. After installation and wiring is complete, tuck wires into wiring compartment and close using locking mechanism.

9. Install bulbs provided by holding ceramic base and pushing firmly into socket.

10. Replace glass diffuser by sliding in along guides (Fig. 4). Do not operate without glass diffuser.

**NOTE: Connect all electrical leads per local codes. Fixture is for indoor use only. Warning: Bulbs get hot. To change bulb, turn off light and let bulb cool down. Always handle bulbs only by porcelain base.**

Fig. 1

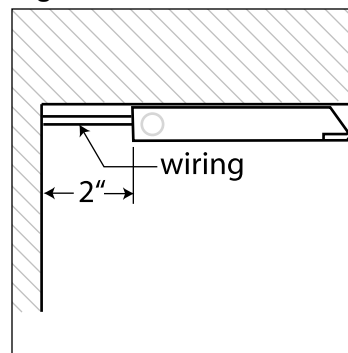


Fig. 2

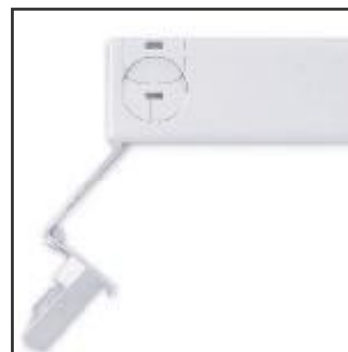


Fig. 3



Fig. 4

# GM Lighting