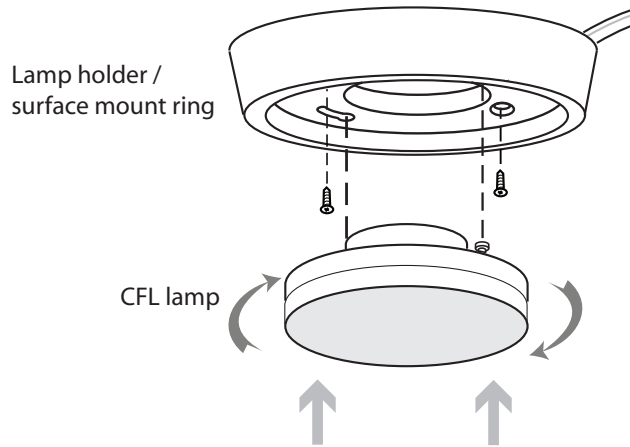


FluoroTask Puck Lighting Kit Installation Instructions

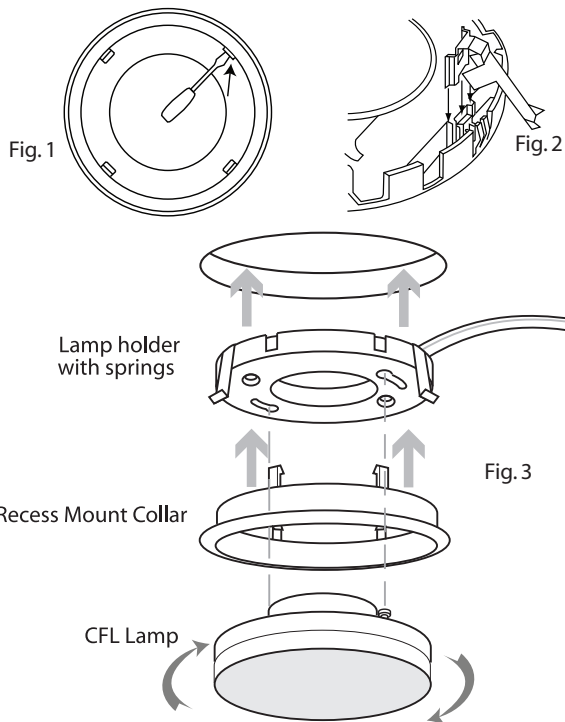


Suitable for interior use.

PLEASE READ THE FOLLOWING BEFORE INSTALLING AND RETAIN FOR FUTURE REFERENCE.

Surface Mounting

1. Determine desired location for puck(s).
2. Mount lamp holder / surface mount ring into surface material using two screws provided, making sure that power cord is in rear.
3. Guide mounting pins from CFL lamp up into lamp holder and twist until lamp 'locks' into place.
4. These light fixtures are only suitable for indoor use AND NOT RECOMMENDED FOR DAMP LOCATION. The fixtures must be installed in accordance with the local lighting regulations or ordinances.
5. If in doubt regarding these instructions, consult a qualified electrician.



Recess Mounting

1. Determine desired location, and drill a 3-1/8" hole.
2. Separate lamp holder from surface mount ring by gently prying open tabs with screwdriver (Fig. 1).
2. Install springs (2) into channels on lamp holder (Fig. 2).
3. Guide recess mount collar up into lamp holder with springs, and then push this assembly up into recess hole (Fig. 3). Make sure that tabs on recess mount collar fit securely into lamp holder slots.
4. Guide mounting pins from CFL lamp up into lamp holder and twist until lamp 'locks' into place.
5. Route puck wire(s) to next puck (connect using modular connector), or to wall outlet using switched plug. CAUTION: DO NOT ROUTE WIRES AND EXTENSION CORDS THROUGH WALLS OR CEILING.

To remove lamp:

Twist CFL lamp counter clockwise until disengaged from lamp holder.

Important: Lamp beam path must be at least 4" from combustible material.