

GM Lighting

120V XENON ACCENT / TASK PUCK LIGHTING • RECESS OR SURFACE MOUNT • INDIVIDUAL PUCK, THREE PUCK KIT WITH SWITCHED CORD AND PLUG, PUCK ACCESSORY

Project: _____

Type: _____

Location: _____

Contact Phone: _____

PRODUCT DESCRIPTION

A surface or recess mount 20W Xenon puck that is available in white or black. Frosted lens delivers even light distribution. Dimmable. Available as a single puck with switched cord and plug, a 3-puck kit with switched cord and plug, or a single puck 'accessory' with modular connectors.

PRODUCT SPECIFICATIONS

Construction:

Heat resistant plastic with frosted lens.

Electrical:

120V operation. Includes switched cord and plug (with the exception of XLP120-W and XLP120-B which is an accessory puck with modular connectors for adding additional pucks). Pre-installed 20W xenon lamp that is easily replaceable. 10,000 hour estimated life.

Lamp:

G8-120V 20W Xenon

Dimming:

Product is dimmable utilizing standard incandescent wall dimmer.

Mounting:

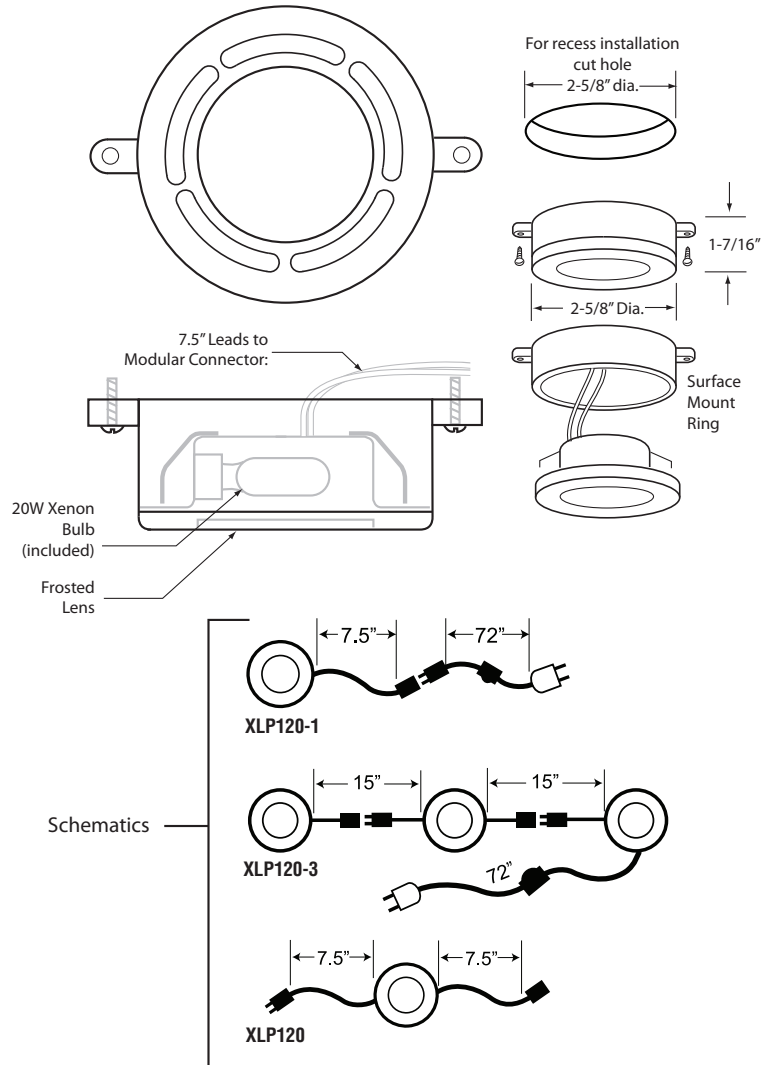
Puck can be surface or recessed mounted. Complete mounting hardware and instructions are included.

Label: UL listed. American Lighting Association.



XLP 120V Series Extenders

Cat. No.	Description
EX120-12	12" Extender for 120V Pucks
EX120-24	24" Extender for 120V Pucks



Cat. No.	Description	Total Pucks	Wattage	Finish
XLP120-1-W	Puck w/ Switched Cord & Plug	1	20W	White
XLP120-1-B	Puck w/ Switched Cord & Plug	1	20W	Black
XLP120-3-W	Puck Kit w/ Switched Cord & Plug	3	3 x 20W	White
XLP120-3-B	Puck Kit w/ Switched Cord & Plug	3	3 x 20W	Black
XLP120-W	Puck Accessory with Modular Connectors	1	20W	White
XLP120-B	Puck Accessory with Modular Connectors	1	20W	Black

GM Lighting

9830 W. 190th Street • Unit F • Mokena, IL 60448 • www.gmlighting.net
 Toll-Free: (866) 671-0811 FAX: (708) 478-2640
 e-mail: gmlighting@sbcglobal.net • Specifications subject to change without notice.

032210_120Vpuck